

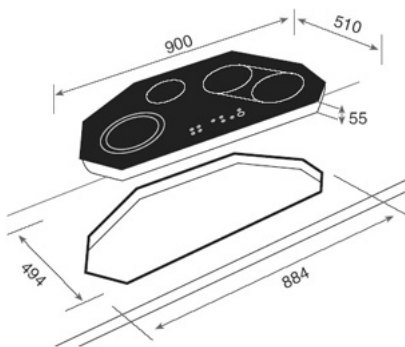
VR TC 90 OC



CHARACTERISTICS

- . Vitroceramic hob
- . Touch control panel
- . Bevelled glass
- . Dimensions: 900 x 510 mm
- . Touch control with acoustic sensor and security blocking
- . Digital programming of the cooking time (99 minutes)
- . Chronometer function with acoustic alarm
- . Burst of cooking function
- . 4 cooking zones: 1 high light double zone (180/210 mm \varnothing), 2 high light heating elements (180 mm \varnothing), 1 high light heating element (145 mm \varnothing), 1 warming zone 400 W
- . Residual heat indicators
- . Maximum nominal power: 7,200 W.

TECHNICAL DRAWING



Overall measurements (mm)

Height/Width/Depth	900/510/55
--------------------	------------

Measurements of base unit:

Width/Depth	884/494
-------------	---------

Electrical connection

Power supply V (*)	230
Frequency Hz (*)	50/60
Max. nominal power (W)	7200
Wire length (cm)	150

Heating elements

Triple circuit heating element \varnothing 145, 210, 270/1,0, 1,9, 2,7	-
Triple circuit heating element \varnothing 120, 180, 210/0,8, 1,6, 2,3	-
Double circuit heating element \varnothing 210/270, 1,800/2,7 kW	-
Double circuit heating element \varnothing 210/270, 1,500/2,4 kW	-
Double circuit heating element \varnothing 180/210, 1,4/2 kW	1
Double circuit heating element \varnothing 120/210, 0,7/2,1 kW	-
Double circuit heating element \varnothing 120/200, 0,7/2,1 kW	-
Double circuit heating element \varnothing 120/180, 0,7/1,7 kW	-
Double circuit heating element \varnothing 140/200, 1,8 kW	-
Heating element \varnothing 210, 2,3 kW	-
Heating element \varnothing 180, 1,8 kW	2
Heating element \varnothing 160, 1,5 kW	-
Heating element \varnothing 145, 1,2 kW	1
Heating element \varnothing 100, 0,6 kW	-
Heating element 190 x 140 mm, 1,2 kW	-
Extensible heating element \varnothing 175 x 265 mm	-
Extensible heating element \varnothing 140 x 240 mm, 2 kW	-
Vital zone \varnothing 210 x 170, 1,5/2,4 kW	-
Power High Light, 2,3-3,2 kW	-
Multizone 200x320, 2,4 kW	-
Oval zone \varnothing 145 x 180 mm	-
Warming zone	1
Halogen \varnothing 180, 1,8 kW	-
Halogen \varnothing 145, 0,6 kW	-

Features

Touch control panel	•
Cooking programmer	•
Chronometer function	•
Burst of cooking function	•
Stop and Go function	-
Low temp function	-

Safety systems

Residual heat indicator	•
Safety control lock	•
Automatic safety disconnection	•

Finishing

Round corners	-
Squared corners	•
Stainless steel frame	-
Bevelled glass	•