

The 60cm wide Smeg STEALTH shelf telescopes forward from its neat flush housing within the cabinetry. In classic Smeg Canali detail and at only 6cm high, this handy platform is instantly an extra bench space. Perfectly designed for positioning directly below Smeg stainless steel microwave ovens or lift-up doors, consider also its possible benefits in any other part of the kitchen design.

Not only does it accommodate the largest utensils coming out of a Smeg microwave oven, with a true usable depth of 50cm, all Smeg main oven furniture such as baking/grill trays comfortably sit directly onto the platform.

Continuing with design innovations and addressing the all too often neglected ergonomic layout of kitchens, consider as well the Smeg DRAWER. Again, in the ever popular Canali design, this stainless steel drawer creates an accessible space to neatly store utensils or even the furniture from the oven not being used in a particular cooking mode. The alternative is often to stack items inconveniently on otherwise precious bench space. At 15cm height and 50cm deep, it more than adequately holds several trays and/or chopping boards.



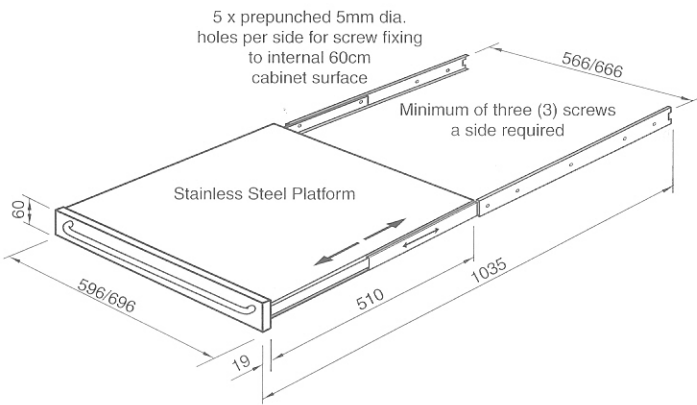
STEALTH (available 60cm and 70cm)



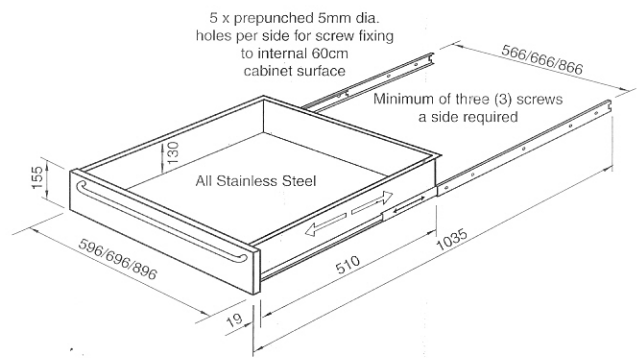
DRAWER (available 60cm, 70cm and 90cm)

Shown opposite are the SA985CX microwave oven with 9947A stainless steel trim kit (featured on the previous page), STEALTH, SA398X oven (featured on page 19) and DRAWER.

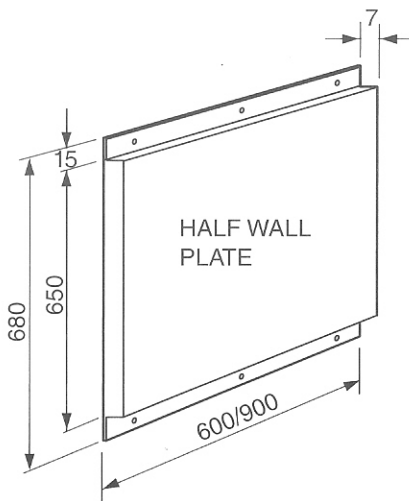
SHELF



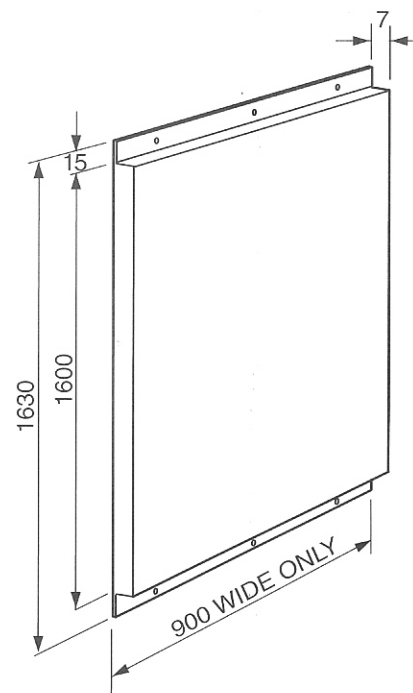
DRAWER



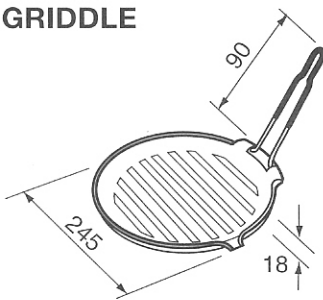
HALF WALL PLATE



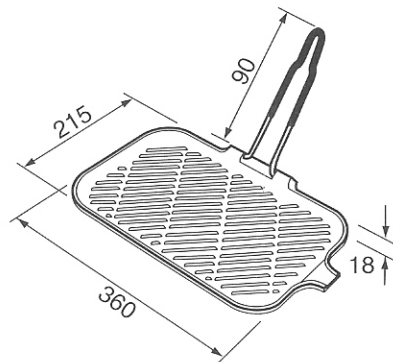
FULL WALL PLATE



ROUND GRIDDLE



RECTANGULAR GRIDDLE



BB3679

