

# SD08 Oven and Grill

ID050505  
Code 9906

## Smeg Thermosealed Four Function, Fan Forced Oven, Separate Static Grill



COLOUR	Satin Stainless Steel
SIZE	890mmH x 596mmW x 566mmD
CAPACITY	Main 66.5 litre gross 56.1 litre nett Auxiliary 44.8 litre gross 38.9 litre nett
INSTALLATION	Wall column
MULTIFUNCTION	Main: 3 cooking functions plus defrost 50° - 250° Celsius, Auxiliary: 1 Static Grill 50° - 300° Celsius
TIMER	60 minute variable countdown and ring
BOTH OVEN AND GRILL...	
CAVITY COOLING	Independent self cooling carcass fan
FURNITURE	2 x baking/grill tray with grid, 1 x biscuit tray, 2 x chrome wire shelves Removable roof liner (both ovens) 2 x safety handles
CATALYTIC LINERS	Optional sets of three (3) available for both ovens Main oven code 9970 Auxiliary oven code 3691
SAFETY	Triple glazing. Thermal overload protection. Safety notched furniture.

### MULTIFUNCTION

Main Oven



Fan Forced



Defrost  
No thermostat  
selection



Fan  
Grill



Grill

Auxiliary Grill

Static  
Grill



The '400' series knobs match the SAR/CIR64 and SA64 stainless steel 60cm gas cooktops

### SMEG THERMOSEAL

Unique to Smeg is the fully sealed, non venting oven. This sealing ensures larger capacity loading, lower temperatures and faster cooking.

### CLEANER COOKING

Since the oven cavities are denied a vented air supply there is reduced splatter and oxidising ('burning-on') of food particles and fluids onto interior surfaces and oven furniture.

### SELF SUFFICIENCY

The thermoseal ensures cooking does not require the addition of fluids (fats, oils) to maintain a moist cooking environment. Nor does the oven require attention, that is, turning, basting or repositioning while grilling, roasting or baking.

### REMOVABLE ROOF

Also uniquely Smeg is the removable vitreously enameled roof liner over the grill element in both oven. Historically this is the most inaccessible and difficult area of an oven to clean. Now, simply slide this liner out for easy wiping over or dishwasher loading.

### CATALYTIC WALL LINERS

These panels are optionally fitted accessories to both ovens. The set of three is fitted over the side and rear walls. They absorb airborne grease/oil/food particles throughout the cooking process to eventually carbonise this organic waste. Maintenance is then made even easier.

### SAFETY COOLING

An independent fan sources air from the kitchen and passes this air through the control panel and then around the carcass of the ovens exiting at the lower front of the oven back into the kitchen. The triple glazed doors, in unison with the cavity cooling system ensures all external surfaces are safe to touch.

### TRIPLE GLASS DOOR

Three layers of thermo reflective glass ensure the heat generated within the oven cavity is contained and efficiently used. Radiant heat to the outside, that is, the kitchen is kept to a minimum. The triple glazing also ensures safe to touch surfaces.

### FORCED AIR COOLING

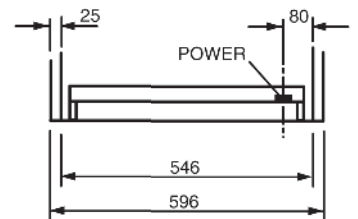
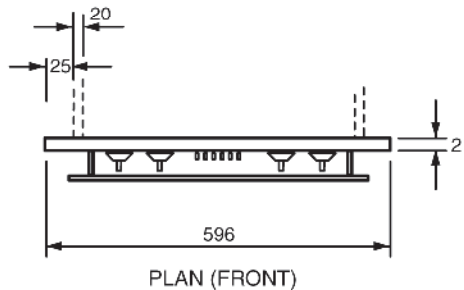
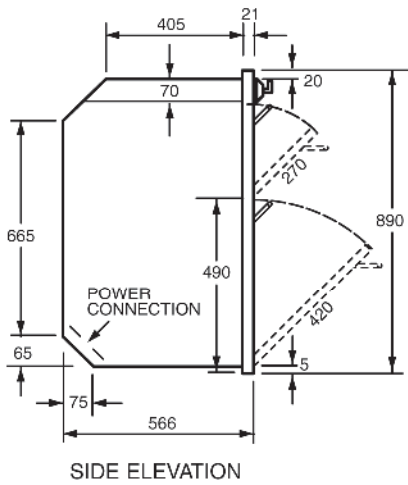
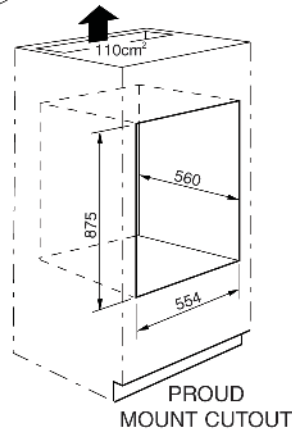
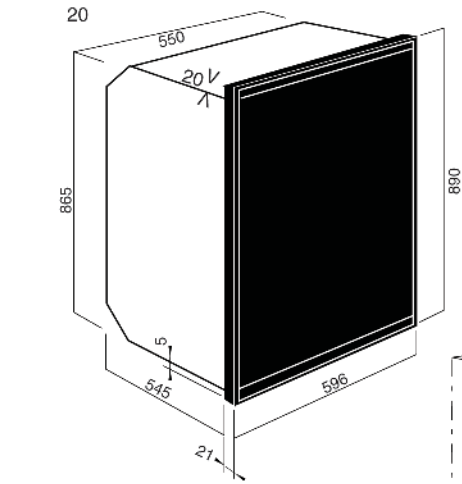
Recirculating air from the cavity cooling system is mixed with fresh air and convected upwards between the doors' glass panes. This process effectively helps the cooling of the ovens' fascia, door surfaces handles and control dials.

### WARRANTY

Two years on parts and labour.

# SD08 Oven and Grill

## Smeg Thermosealed, Four Function, Fan Forced Oven, Separate Static Grill



(For flush mounting add max. 4mm to height and width for cabinet dimensions)

Height	890mm
Width	596mm
Depth	566mm
<b>CUTOUT Proud Mounted</b>	
Height	875mm
Width	554mm
Depth	560mm
Packaged Dimensions	100Hmm x 700mm x 650mm
Gross Volume	0.455m <sup>3</sup>
Nett Weight	56kg
Gross Weight	63kg
Main Oven Capacity	340mmH x 460mmW x 425mmD = 66.47 litre

Main Oven Cooking Capacity	305mmH x 460mmW x 400mmD = 56.12 litre
----------------------------	--

Auxiliary Grill Capacity	232mmH x 460W x 420mmD = 44.82 litre
--------------------------	--------------------------------------

Auxiliary Grill Cooking Capacity	204mmH x 460W x 415mmD = 38.94 litre
----------------------------------	--------------------------------------

Maximum Current	24.69 amp
Electricity Supply	240 volt 50Hz
Electrical Connection	Hard wired, single phase

SUPPLIED

- Screws for mounting, instructions for installation, operation and maintenance, cookbook,
- 2 x baking/grill trays with grid
- 2 x chrome wire shelves
- 1 x biscuit tray
- 2 x safety handles
- Removable roof liner (both ovens)

## Smeg SD08 Double Oven

ELEMENT MAIN OVEN	ROOF		FLOOR	REAR WALL	REAR WALL FAN	COOLING FAN	LIGHT	MAX WATT	CURRENT AMP
	INNER	OUTER							
WATTAGE	1800	1100	1300	2200	45	24	15		
FAN FORCED				●	●	●	●	2284	9.52
FAN GRILL	●	●			●	●	●	2984	12.44
STATIC GRILL	●	●				●	●	2934	12.25
AUXILIARY GRILL									
STATIC GRILL	●	●				●	●	2939	12.25

REAR (LOWER) ELEVATION POWER

Warning: Technical specifications and product sizes can be varied by the manufacturer - without notice. Cut outs for appliances should only be by physical product measurements. The above information is indicative only.