
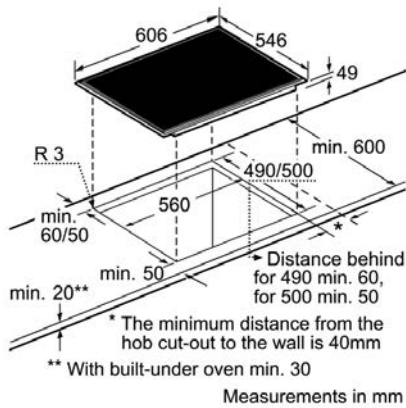


NEFF T44T43 FLEXINDUCTION COOKTOP IN DETAIL.

600mm FLEXINDUCTION COOKTOP T44T430N0

Black ceramic glass trimmed with stainless steel 

1 FlexInduction zone	TwistPad control
4 induction zones	Residual heat indicator
Power Boost on all zones	LED display and timer



INDUCTION COOKTOP SAFETY NOTE.

This appliance complies with the directive for safety and electromagnetic compatibility. Nonetheless, persons with fitted pacemakers should keep themselves at a safe distance from this appliance, and should abstain from using or repairing the appliance. Interference may also occur with other devices, such as hearing aids.

► FEATURES

60cm – 4 zone induction hob
Electronic control
4 power boost zones
1 x FlexInduction zone with 2 usage possibilities: 2 single induction zones of 380cm² or one flexible induction zone of 760cm²
Touch control FlexInduction operation
LED display for each zone
LED timer for each zone with function and acoustic signal
2 stage residual heat indicators
Child safety lock
Safety cut out facility
Control panel suspension
Automatic pan recognition
Power management function

► DESIGN

Cooking zone selection and temperature control via removable "Point & Twist" magnetic central control
Bevelled design trim

► TECHNICAL FEATURES

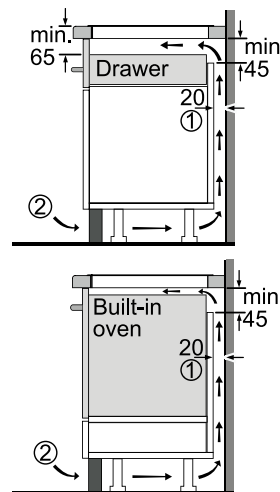
Left FlexInduction zone
1 x Ø38x20cm 3.3 kW (3.6 kW*)
Or 2 x Ø 19x20cm 2.0 kW (2.5 kW*)
Front right zone
Ø21cm 2.2 kW (3.3 kW*)
Back right zone
Ø14.5cm 1.4 kW (1.8 kW*)
*Power output on boost setting

Total connected electrical load (W) 7200[†]

[†]All induction cooktops can only be wired using a single phase connection.

INDUCTION COOKTOP INSTALLATION NOTES.

Induction cooktops have a cooling fan to protect the appliance's electronics from overheating. In the case of insufficient air circulation in the cabinet the appliance's output will be reduced to prevent electronic damage.



1. Ventilation gap must be present.
2. The housing must have a 50cm ventilation opening.
3. Intake through the cabinet's back wall. In the cabinet's back wall plan a recess of at least 45mm in height from the worktop's bottom edge. The minimum width is 550mm for a 60cm to 70cm induction cooktop. 820mm for a 90cm cooktop.
4. All induction cooktops must have an intermediate floor installed beneath covering the full width of cooktop. If an oven/compact appliance is installed directly beneath an induction cooktop no intermediate floor is required providing the oven/compact appliance restricts access to the entire underside of cooktop.



www.neff.com.au